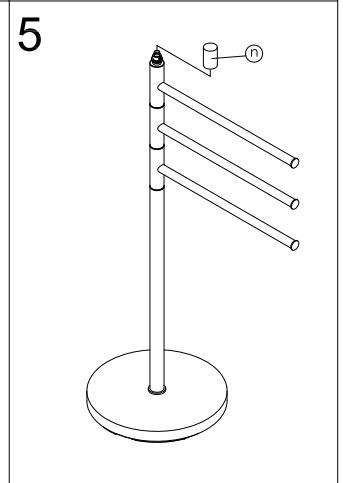


## INSTALLATION GUIDE

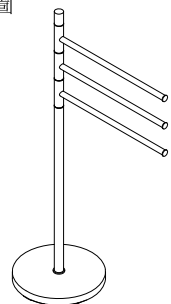
### TOWEL STAND

立式毛巾架組安裝說明

1. Secure the **Bolt** with **Decorative Cover** and **Weight** together as fig# 1 shown.  
先將牙條與裝飾用底蓋.秤塊固定在一起，如圖示1.
2. Slide **Tube** and **POM Washer** onto the **Bolt**, then tighten with **Lock Nut** as fig# 1 shown.  
將銅管和塑鋼華司套入牙條，用固定螺帽鎖緊固定，如圖示2.
3. Slide three **Towel Bars** and three **POM Washers** onto the **Bolt** as fig#3 shown.  
將3支毛巾桿和三個塑鋼華司套入牙條，如圖示3.
4. Hand screw the **Retaining Nut** onto the **Bolt** to secure and keep the **Towel Bars** rotated smoothly, then tighten the **Set Screw** to fix the **Retaining Nut** in place as fig# 4 shown.  
將定位螺帽套入牙條，用手鎖緊並調整毛巾桿使之旋轉順暢，再用隨附的六角板手鎖緊埋頭固定定位螺帽，如圖示4.
5. Tighten **End Cap**.  
鎖緊終端裝飾蓋，即完成安裝程序.



**FINISH**  
完成圖



## FIXING CONTENTS

組配件內容

